



SM screw feeder (POWDER FEEDERS)



SEIWAGIKEN Co.,Ltd.

SM screw feeder

Inverter control
(capacity type)



Weight control
(weight type)



Screw motor
Gear head

Agitator motor



Base frame

Basic configuration

Hopper
Agitator

Break the bridge



Casing
Screw

Various types



Selectable feeder unit configuration

Selectable configuration



Feeder unit



Feeder unit
Hopper
Agitator



Feeder unit
Hopper
Agitator
Base frame



Feeder unit
Hopper
Agitator
Base frame
Load cell

① **Screw feeder**

Selectable feeder casing diameter

$\phi 25.4$ $\phi 38$ $\phi 48.6$ $\phi 60.5$ $\phi 76.3$

Screw with or without core

② **Hopper**

10~100 liter

With or without agitator

③ **Control method**

Inverter and timer control

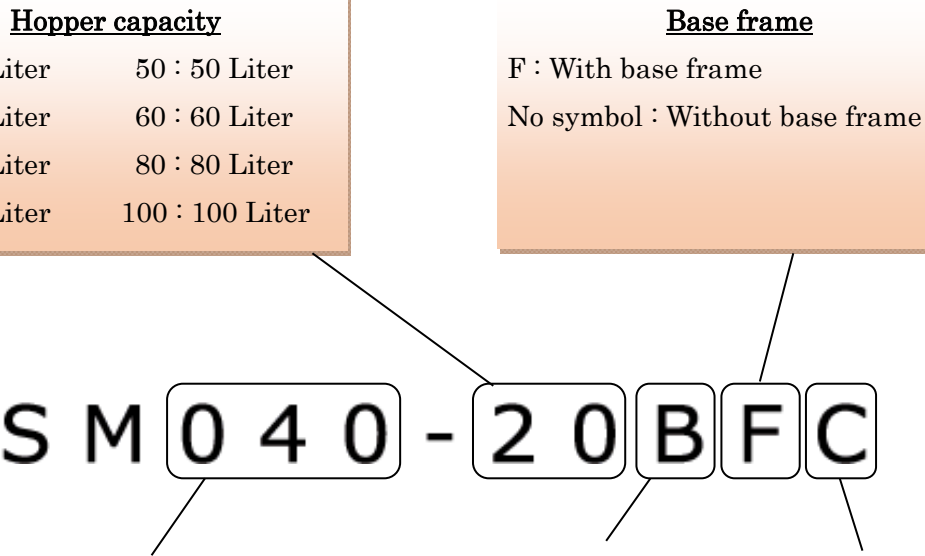
Loss-in-weight control

Without control panel

④ **Main material**

SUS304

Model indication



Casing diameter and screw type

020 : ϕ 25.4, Core
 030 : ϕ 38, Core
 040 : ϕ 42.7(1 $\frac{1}{4}$ B), Core
 050 : ϕ 48.6(1 $\frac{1}{2}$ B), Core
 060 : ϕ 60.5(2B), Core
 070 : ϕ 76.3(2 $\frac{1}{2}$ B), Core
 02N : Not produced
 03N : ϕ 38, Coreless
 04N : ϕ 42.7(1 $\frac{1}{4}$ B), Coreless
 05N : ϕ 48.6(1 $\frac{1}{2}$ B), Coreless
 06N : ϕ 60.5(2B), Coreless
 07N : ϕ 76.3(2 $\frac{1}{2}$ B), Coreless

Coreless screw is recommended for strongly adherent materials.

Agitator

B : With agitator
 No symbol : Without agitator
 The blades rotate and break the bridge.

Control panel

C : Inverter and timer control
 L : Loss-in-weight control
 No symbol : Without control panel



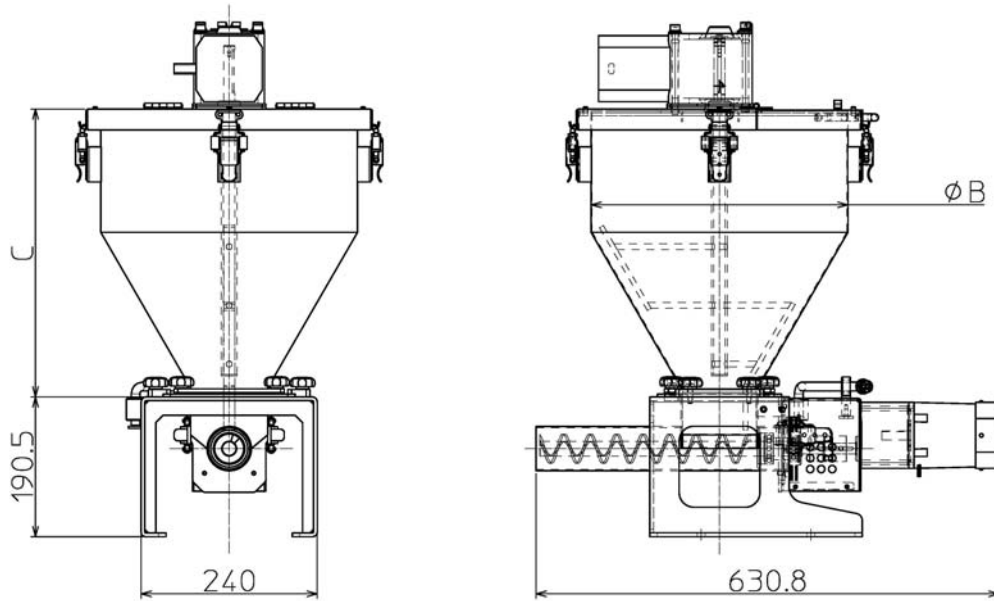
Type : C



Type : L



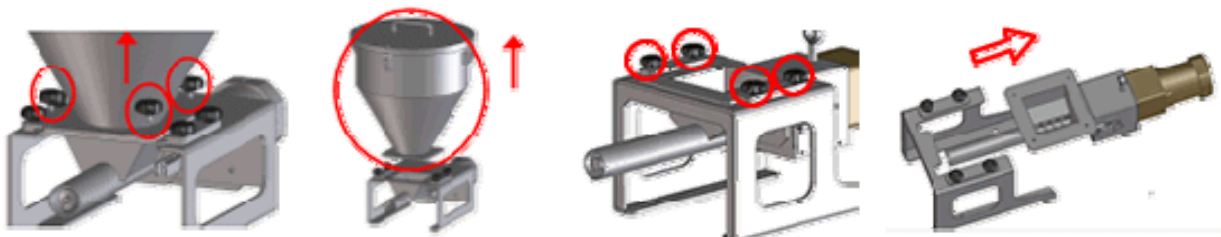
Size



Hopper capacity(L)	10	20	30	40	50	60	80	100
B	350	350	350	400	400	500	500	500
C	330	395	505	545	635	565	685	802

Disassembly and assembly

It can be easily disassembled and assembled without tools, so it is possible in a short time





SeiwaGiken Co.,Ltd.

141-2 Kmikouti,Itsukaichi-chou,Saeki-ku,Hiroshima-shi,Hiroshima-ken,Japan

Phone : +81-82-927-1221 Fax : +81-82-927-1222

<https://seiwag.trustpass.alibaba.com/>